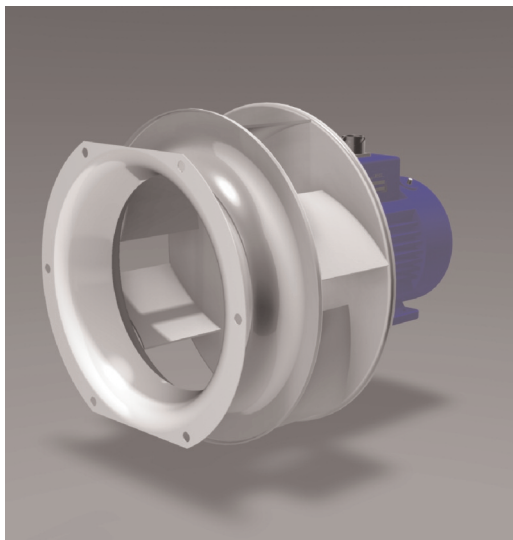


# Fans

## OR Series

Open-Running Centrifugal Fan Units for Converters and Traction Modules



**Compact, ready-to-install solution**  
**Suitable to be integrated into cubicles, boxes**

### Applications :

- ° converters (traction and auxiliary)
- ° power modules
- ° radiators
- ° condensers

### Model OR-40

Project : PHD Regional EMU (Bombardier for SNCF)  
Service : Traction Converter Cooling

model	OR-40
diameter	Ø400
rpm	2940
air flow	1,27 m <sup>3</sup> /s
static pressure	1372 Pa
operating temperature	60 °C
rated power	2,5 kW
noise level at 1m	81 dB(A)
weight	32 kg
voltage	400 V
frequency	50 Hz
current	5 A
protection grade	IP 65
insulation class	H
motor applicable standards	EN60014 EN60349
fire and smoke applicable standards	NFF16101 – 102
welding applicable standards	EN15085 Cl.1



*Microelettrica Scientifica*

# Fans

OR Series

OR Series

