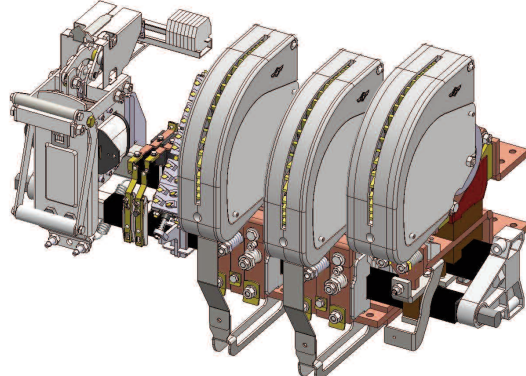


Switches

Standard Family Code TADN2000P3E01



Description

Contactor with single interruption in air, electromagnetic control by two coils (one for close and one for open), and also handle lever.

Double state functioning thanks to mechanical latching device.

Reference standard ANSI-IEEE CE 37.18-1979 and C37.16-1988.

Type	TADN 2000
Number of Poles	2 NO + 1 NC
Connection between poles	Series for NO pole ¹
Mounting Position	Vertical
Control Voltage Rating U_c [Vdc]	110Vdc/Vac - 220Vdc/Vac ¹
Auxiliary Contact Blocks	5 NO + 5 NC
Block Type	B
Arc chute Material	Ceramic in plastic shells
Main Contacts tips Material	S6 (NO pole) - S4 (NC pole)
Arcing Contacts tips Material	S6 (NO pole)
Electric Diagram 110V / 220V	SCE1552 / SC26303
Layout Drawing	D53556

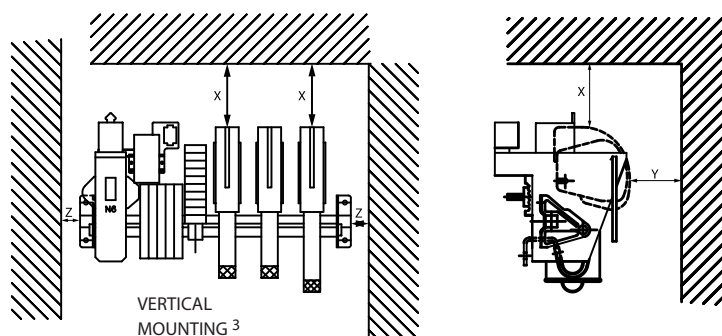
¹ To be specified in order phase.

Electrical Characteristics

Rated Nominal Voltage Class V_n [V_{ac} / V_{dc}]	1000
Rated Insulation Voltage U_i [V]	1000
Characteristics of the main Contacts (2 Poles NO Series)	
Conventional Free Air Thermal Current I_{th} [A] at 40°C ²	2000
Conventional Free Air Thermal Current I_{th} [A] at 60°C ²	1750
Rated short-time voltage of main contacts V' [V_{dc}]	700
Rated interruption current I'_{cc} of main contacts at V' (short-circuit in the field circuit) [kA]	20
Rated maximum interrupting voltage of main contacts V_{cc} [V_{dc}]	1000
Rated interruption current I_{cc} of main contacts at V_{cc} (short-circuit in the armature circuit) [kA]	15
Rated 1/2 second short-time current I_{cc} 0,5 [kA]	23
Average impedance per pole at 50 Hz [$\mu\Omega$]	150
Blow out type	Indirect with arcing contact
Characteristics of Normally Closed Contact	
Rated continuous current I_{nd} [A]	1250
Rated interrupting current I_{ccd} of the discharge contacts at V' [kA]	10
Rated making current of the discharge contacts I_{chd} (short-circuit in the armature circuit) [kA]	10
Rated 15 seconds short-time current $I_{d15''}$ [kA] of the discharge contacts	6
Blow out type	Direct
Contact Overlap between NO & NC Poles	
Time from NC closing and NO opening [ms]	2 ÷ 3
Time from NO closing and NC opening [ms]	3 ÷ 5

² Device cabled according IEC 60947

Minimum clearances [mm] from:				
Rated Operational Voltage	X	Y	Z	
1000	Metal Parts	100	50	30
	Plastic Parts	50	30	20



³ OTHER MOUNTING POSITIONS NOT ALLOWED



Microelettrica Scientifica

Switches

Standard Family Code
TADN2000P3E01

Mechanical Characteristics

Mechanical Endurance (cycles) ⁴	2.5x10 ⁵
Weight [kg]	75

Control Circuit

Control Voltage Range	0.85U _c ÷ 1.1U _c
Power Consumption (U _c and T = 20°C) at Closing - When holding - at Opening [W]	1350 - 0 - 150
Mechanical Operation Time (U _c and T = 20°C) when Closing - Opening [ms]	100 - 20
Mechanical Operation Time (in the worst condition) when Closing - Opening [ms]	400 - 25
Time Constant (L/R) at Pick Up - when Holding [ms]	
Electrical Connections	Terminal board

Auxiliary Contacts

Tips material	Solid Silver
Rated Operational Voltage [V _{ac} / V _{ac}]	250
Rated Current [A]	10
Minimum Switching Current at 16V _{ac} [mA] ⁵	100
Electrical Connections	Fast-On 6.35x0.8mm

Environmental Conditions

Stock Temperature Range	-25°C ÷ +60°C
Operational Temperature Range	-5°C ÷ +55°C
Max Altitude without Performance Derating [m]	2000

⁴ With respect of the maintenance operations

⁵ In clean and dry conditions

