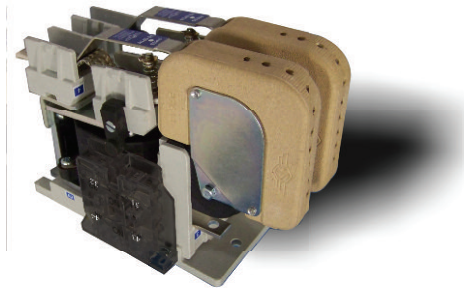


Switches

Standard Family Code LTHS00602*A00



Type	LTHS 60
Number of Poles	2 NO
Connection between poles	Single, series or parallel ¹
Mounting Position	Horizontal - Vertical ¹
Control Voltage Rating [V ^{dc}]	24 - 36 - 48 - 72 - 110 ¹
Auxiliary Contact Blocks	2 (1 NO + 1 NC)
Block Type	SL
Arc chute Material	Ceramic
Main Contacts tips Material	S6
Arcing Contacts tips Material	-
Electric Diagram	-
Layout Drawing	D45398

¹ To be specified in order phase.

Description

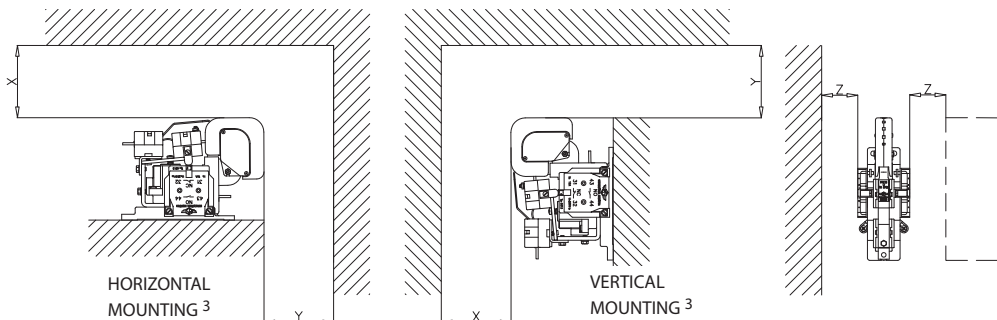
Contactor with single interruption in air, electromagnetic control by full power coil. Single state functioning. Reference standard IEC 60077.

Electrical Characteristics

Rated Operational Voltage [V _{ac} / V _{dc}]	440 / 900 ¹		
Max Operational Voltage [V _{ac} / V _{dc}]	1000		
Rated Insulation Voltage [V]	1000		
	Single Pole	Series Connected	Parallel Connected
Conventional Free Air Thermal Current [A] at 40°C ²	80	80	160
Conventional Free Air Thermal Current [A] at 75°C ²	60	60	120
DC-Rated Operational Current (τ=15ms) [A]			
900V	60	110	60
440V	115	250	115
DC-Maximum Breaking Capacity (τ=5ms) [A]			
900V	70	180	70
440V	160	420	160
AC-Maximum Breaking Capacity (cosφ=0,8; 50Hz) [A]			
900V	100	240	100
440V	220	450	220
Short Circuit Withstand Capacity for 100ms [kA]	4	2	4
Critical Current Range [A]	<5 at 750V _{dc}	<3 at 750V _{dc}	<5 at 750V _{dc}
Fault Making Capacity [kA]	1.8	1.8	3
Component Category / Operational Frequency Class	A2 / C3		
Blow Out Circuit Type	Indirect		

² Device cabled according IEC 60947

Minimum clearances
from metal parts [mm]
X = 75; Y = 75 ; Z = 30



³ OTHER MOUNTING POSITION NOT ALLOWED!



Microelettrica Scientifica

Switches

Standard Family Code
LTHS00602*A00

Mechanical Characteristics

Mechanical Endurance (cycles)	2x10 ⁶
Shock and Vibrations (IEC61373)	Cat.1 - Class B
Weight [kg]	2.7

Control Circuit

Control Voltage Range	0.7U _c ÷ 1.25U _c
Power Consumption (U _c and T = 20°C) at Pick Up - when Holding [W]	16 - 16
Mechanical Operation Time (U _c and T = 20°C) when Closing - Opening [ms]	85 - 20
Time Constant (L/R) at Pick Up - when Holding [ms]	40 - 50
Electrical Connections	Fast-On 6.35x0.8mm

Auxiliary Contacts

Tips material	Solid Silver
Rated Operational Voltage [V _{ac} / V _{dc}]	250
Rated Current [A]	10
Minimum Switching Current at 16V _{dc} [mA] ⁴	20
Electrical Connections	Fast-On 6.35x0.8mm

Environmental Conditions

Stock Temperature Range	-50°C ÷ +85°C
Operational Temperature Range	-40°C ÷ +75°C
Pollution Degree - Overvoltage Category (EN 50124-1)	PD3 / OV3
Max Altitude without Performance Derating [m]	1500

⁴ In clean and dry conditions

