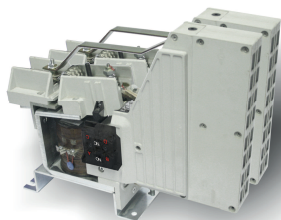


Switches

Standard Family Code LTHS04012*A02



Description

Contacter with single interruption in air, electromagnetic control by full power coil. Single state functioning.

Reference Standard IEC 60077, IEC 61992 and IEC 60947..

Type	LTHS 400
Number of Poles	2 NO
Connection between poles	Single, series or parallel ¹
Mounting Position	Horizontal - Vertical ¹
Control Voltage Rating U _c [Vdc]	24 - 36 - 48 - 72 - 110 ¹
Auxiliary Contact Blocks	2 x (1 NO + 1 NC)
Block Type	SL
Arc chute Material	Polyester Resin - Ceramic ¹
Main Contacts tips Material	S6
Arcing Contacts tips Material	-
Electric Diagram	-
Layout Drawing	D47641

¹ To be specified in order phase.

Electrical Characteristics

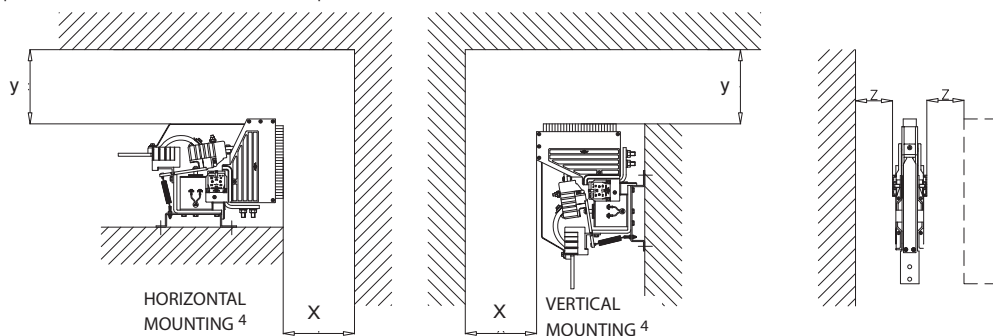
Rated Operational Voltage [V _{ac} / V _{dc}]	900 / 1800 ¹					
Max Operational Voltage [V _{ac} / V _{dc}]	2000					
Rated Insulation Voltage [V]	2000					
	Single		Series Connected ³		Parallel Connected ³	
Arc chute Type	Polyester Resin	Ceramic	Polyester Resin	Ceramic	Polyester Resin	Ceramic
Conventional Free Air Thermal Current [A] at 40°C ²	500	500	500	500	1000	1000
Conventional Free Air Thermal Current [A] at 75°C ²	400	400	400	400	800	800
DC-Rated Operational Current (τ=15ms) [A]						
1800V	140	225	290	500	140	225
900V	440	665	915	1400	440	665
DC-Maximum Breaking Capacity (τ=5ms) [A]						
1800V	330	415	700	915	330	415
900V	830	1160	1830	2500	830	1160
AC-Maximum Breaking Capacity (cosφ=0,8; 50Hz) [A]						
1800V	600	800	1300	1800	600	800
900V	1200	2000	2800	4500	1400	2200
Short Circuit Withstand Capacity for 5ms [kA]	10	10	10	10	18	18
Critical Current Range [A]	< 50 (U > 1500V _{dc})	< 50 (U > 1500V _{dc})	< 25 (U > 1500V _{dc})	< 25 (U > 1500V _{dc})	< 50 (U > 1500V _{dc})	< 50 (U > 1500V _{dc})
Fault Making Capacity [kA]	6	6	6	6	10	10
Component Category / Operational Frequency Class	A2 / C3					
Blow Out Circuit Type	Indirect coil					

² Device cabled according IEC 60947

³ Series or parallel bar connections are available under request

Minimum clearances [mm] from:				
Rated Operational Voltage	X	Y	Z	
900V	Metal Parts	100	50	30
	Plastic Parts	50	30	20

Minimum clearances [mm] from:				
Rated Operational Voltage	X	Y	Z	
1800V	Metal Parts	120	50	40
	Plastic Parts	50	30	20



⁴ OTHER MOUNTING POSITIONS NOT ALLOWED



Microelettrica Scientifica

Switches

Standard Family Code
LTHS04012*A02

Mechanical Characteristics

Mechanical Endurance (cycles)	2x10 ⁶
Shock and Vibrations (IEC61373)	Cat.1 - Class B
Weight [kg]	19.5

Control Circuit

Control Voltage Range	0.7U _c ÷ 1.25U _c
Power Consumption (U _c and T = 20°C) at Pick Up - when Holding [W]	60 - 60
Mechanical Operation Time (U _c and T = 20°C) when Closing - Opening [ms]	230 - 45
Time Constant (L/R) at Pick Up - when Holding [ms]	190 - 215
Electrical Connections	Fast-On 6.35x0.8mm

Auxiliary Contacts

Tips material	Solid Silver
Rated Operational Voltage [V _{ac} / V _{dc}]	250
Rated Current [A]	10
Minimum Switching Current at 16V _{dc} [mA] ⁵	20
Electrical Connections	Fast-On 6.35x0.8mm

Environmental Conditions

Stock Temperature Range	-50°C ÷ +85°C
Operational Temperature Range	Tx (-40°C ÷ +75°C) ⁶
Pollution Degree - Overvoltage Category (EN 50124-1)	PD3 / OV3
Max Altitude without Performance Derating [m]	2000

⁵ In clean and dry conditions

⁶ In according to IEC50125-1

