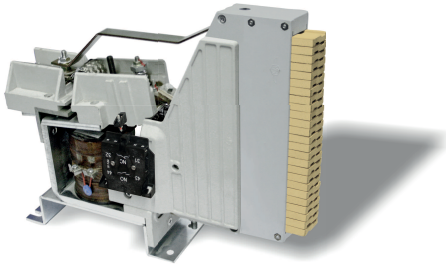


# Switches

## Standard Family Code LTHS04011\*A02



### Description

Contactors with single interruption in air, electromagnetic control by full power coil. Single state functioning.

Reference Standard IEC 60077, IEC 61992 and IEC 60947.

Type	LTHS 400
Number of Poles	1 NO
Mounting Position	Horizontal - Vertical <sup>1</sup>
Control Voltage Rating U <sub>c</sub> [Vdc]	24 - 36 - 48 - 72 - 110 <sup>1</sup>
Auxiliary Contact Blocks	2 x (1 NO + 1 NC)
Block Type	SL
Arc chute Material	Polyester Resin - Ceramic <sup>1</sup>
Main Contacts tips Material	S6
Arcing Contacts tips Material	-
Electric Diagram	-
Layout Drawing	D52034

<sup>1</sup> To be specified in order phase.

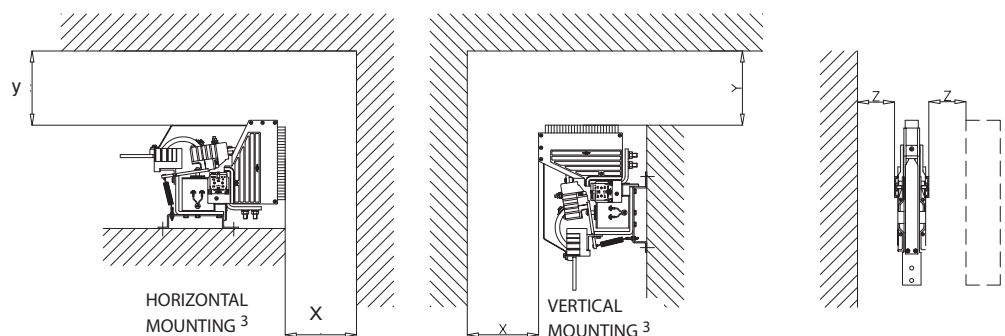
### Electrical Characteristics

Rated Operational Voltage [V <sub>ac</sub> /V <sub>dc</sub> ]	900 / 1800 <sup>1</sup>	
Max Operational Voltage [V <sub>ac</sub> /V <sub>dc</sub> ]	2000	
Rated Insulation Voltage [V]	2000	
Conventional Free Air Thermal Current [A] at 40°C <sup>2</sup>	500	
Conventional Free Air Thermal Current [A] at 75°C <sup>2</sup>	400	
DC-Rated Operational Current (τ=15ms) [A]	Polyester Resin arc chute	Ceramic arc chute
1800V	140	225
900V	440	665
DC-Maximum Breaking Capacity (τ=5ms) [A]		
1800V	330	415
900V	830	1160
AC-Maximum Breaking Capacity (cosφ=0,8; 50Hz) [A]		
1800V	600	800
900V	1200	2000
Component Category / Operational Frequency Class	A2 / C3	
Short Circuit Withstand Capacity for 5ms [kA]	10	
Critical Current Range [A]	< 50 (U > 1500V <sub>dc</sub> )	
Fault Making Capacity [kA]	6	
Blow Out Circuit Type	Indirect coil	

<sup>2</sup> Device cabled according IEC 60947

Minimum clearances [mm] from:				
Rated Operational Voltage	X	Y	Z	
900V	Metal Parts	100	50	30
	Plastic Parts	50	30	20

Minimum clearances [mm] from:				
Rated Operational Voltage	X	Y	Z	
1800V	Metal Parts	120	50	40
	Plastic Parts	50	30	20



<sup>3</sup> OTHER MOUNTING POSITIONS NOT ALLOWED



Microelettrica Scientifica

# Switches

Standard Family Code  
LTHS04011\*A02

## Mechanical Characteristics

Mechanical Endurance (cycles)	2x10 <sup>6</sup>
Shock and Vibrations (IEC61373)	Cat.1 - Class B
Weight [kg]	13

## Control Circuit

Control Voltage Range	0.7U <sub>c</sub> ÷ 1.25U <sub>c</sub>
Power Consumption (U <sub>c</sub> and T = 20°C) at Pick Up - when Holding [W]	40-40
Mechanical Operation Time (U <sub>c</sub> and T = 20°C) when Closing - Opening [ms]	240 - 50
Time Constant (L/R) at Pick Up - when Holding [ms]	130 - 170
Electrical Connections	Fast-On 6.35x0.8mm

## Auxiliary Contacts

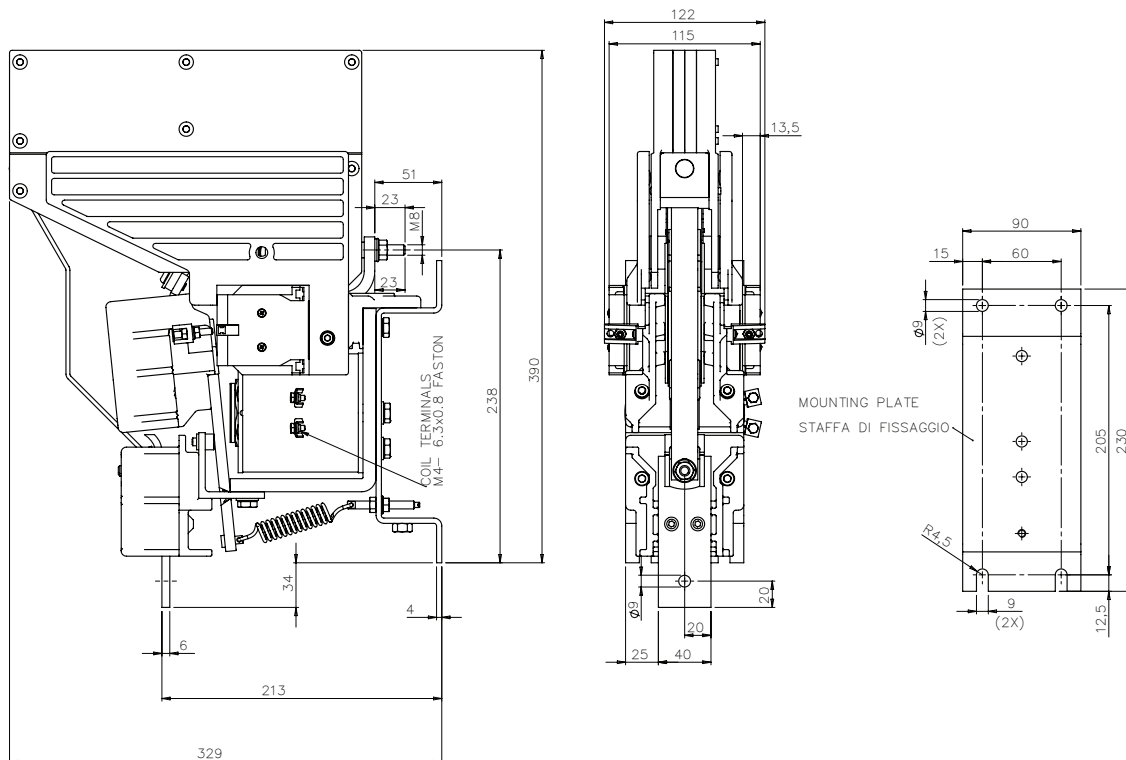
Tips material	Solid Silver
Rated Operational Voltage [V <sub>ac</sub> / V <sub>dc</sub> ]	250
Rated Current [A]	10
Minimum Switching Current at 16V <sub>dc</sub> [mA] <sup>4</sup>	20
Electrical Connections	Fast-On 6.35x0.8mm

## Environmental Conditions

Stock Temperature Range	-50°C ÷ +85°C
Operational Temperature Range	Tx (-40°C ÷ +75°C) <sup>5</sup>
Pollution Degree - Overvoltage Category (EN 50124-1)	PD3 - OV3
Max Altitude without Performance Derating [m]	2000

<sup>4</sup> In clean and dry conditions

<sup>5</sup> In according to IEC50125-1



**KNORR-BREMSE**



*Microelettrica Scientifica*

Microelettrica Scientifica S.p.A. - 20090 Buccinasco (MI) - V. Lucania, 2 - Italy  
Tel. +39 02 575731 - Fax +39 02 57510940 - E-Mail: info@microelettrica.com