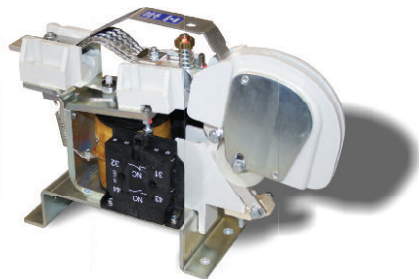


Switches



LTHS01251*A00

Type	LTHS 125
Number of Poles	1 NO
Mounting Position	Horizontal - vertical ¹
Control Voltage Rating [V _{dc}]	24 ÷ 220
Auxiliary Contact Blocks	Max 4 (1 NO + 1 NC or 2 NO)
Block Type	SL
Arc chute Material	Polyester Resin
Contact tips material	S6

¹ To be specified in order phase.

Description

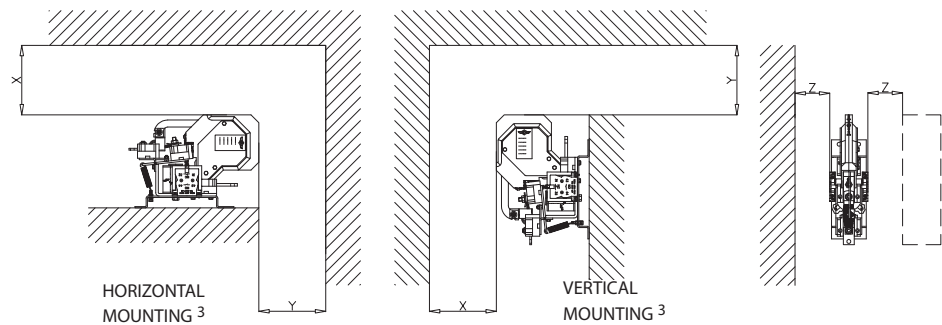
Contact with single interruption in air, electromagnetic control by full power coil. Single state functioning.
Reference Standard IEC 60077.

Electrical Characteristics

Rated Operational Voltage [V _{ac} / V _{dc}]	900
Max Operational Voltage [V _{ac} / V _{dc}]	1000
Rated Insulation Voltage [V]	1000
Conventional Free Air Thermal Current [A] at 75°C ²	125
DC-Rated Operational Current (τ=15ms) [A]	
750V	120
400V	230
DC-Maximum Breaking Capacity (τ=15ms) [A]	
750V	200
400V	380
AC-Maximum Breaking Capacity (cosφ=0,8; 50Hz) [A]	
750V	220
400V	400
Component Category / Operational Frequency Class	A2 / C3
Short Circuit Withstand Capacity for 5ms [kA]	5
Critical Current Range [A]	< 5 (U > 750V _{dc})
Fault Making Capacity [kA]	3
Blow Out Circuit Type	Direct 3 turns

² Device cabled according IEC 60947

Minimum clearances
from metal parts [mm]
X = 90; Y = 90 ; Z = 20



³ OTHER MOUNTING POSITIONS NOT ALLOWED



Microelettrica Scientifica

Switches

LTHS01251*A00

Mechanical Characteristics

Mechanical Endurance (cycles)	2x10 ⁶
Shock and Vibrations (IEC61373)	Cat.1 - Class B
Weight [kg]	3.5

Control Circuit

Control Voltage Range	0.7U _c ÷ 1.25U _c
Power Consumption (U _c and T = 20°C) at Pick Up - when Holding [W]	20 - 20
Mechanical Operation Time (U _c and T = 20°C) when Closing - Opening [ms]	75 - 25
Time Constant (L/R) at Pick Up - when Holding [ms]	50 - 65
Electrical Connections	Fast-On 6.35x0.8mm - Screw M4

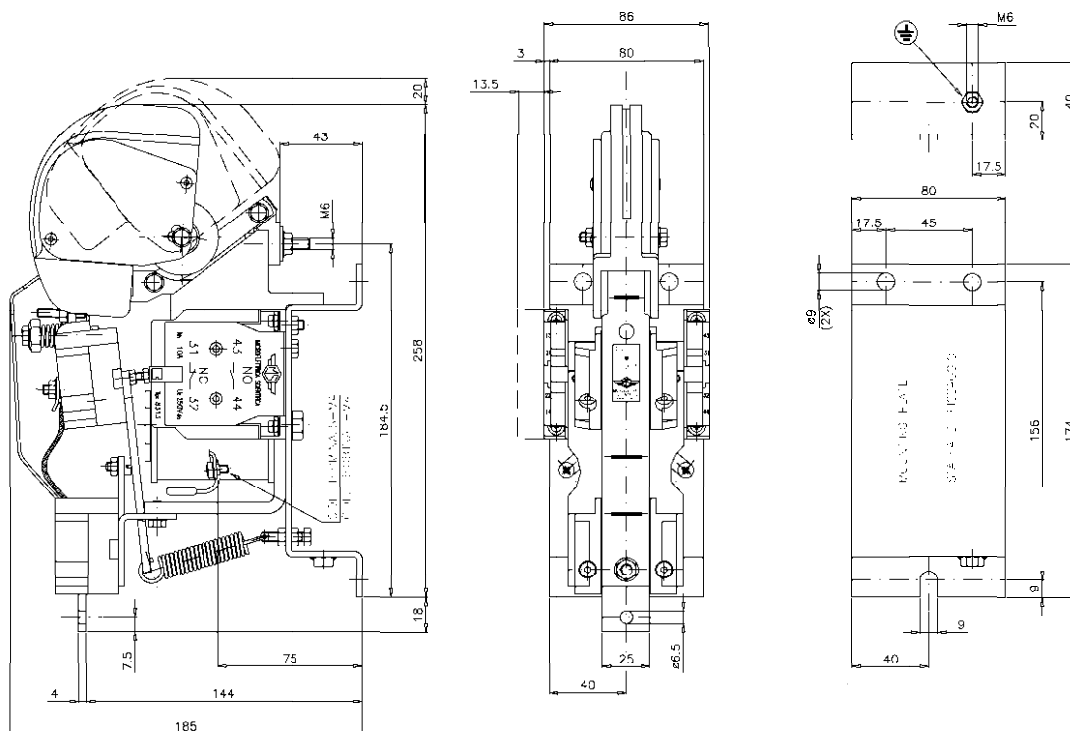
Auxiliary Contacts

Tips material	Solid Silver (Gold plating opt)
Rated Operational Voltage [V _{ac} / V _{dc}]	250
Rated Current [A]	10
Minimum Switching Current at 16V _{dc} [mA] ⁴	20
Electrical Connections	Fast-On 6.35x0.8mm - Screw M4

Environmental Conditions

Stock Temperature Range	-50°C ÷ +85°C
Operational Temperature Range	-40°C ÷ +75°C
Pollution Degree - Overvoltage Category (EN 50124-1)	PD3 - OV3
Max Altitude without Performance Derating [m]	1500

⁴ In clean and dry conditions



KNORR-BREMSE



Microelettrica Scientifica

Microelettrica Scientifica S.p.A. - 20090 Buccinasco (MI) - V. Lucania, 2 - Italy
Tel. +39 02 575731 - Fax +39 02 57510940 - E-Mail: info@microelettrica.com