

Switches



Standard Family Code LTHH00501* A00

Type	LTHH 50
Number of Poles	1 NO
Mounting Position	Horizontal - Vertical ¹
Control Voltage Rating [V ^{dc}]	24 - 36 - 48 - 72 - 110 ¹
Auxiliary Contact Blocks	2 (1 NO + 1 NC)
Block Type	PBX
Arc chute Material	Plastic
Main Contacts tips Material	S6
Arcing Contacts tips Material	-
Electric Diagram	-
Layout Drawing	-

¹ To be specified in order phase.

Description

Contactor single interruption in air, electromagnetic control by full power coil. Single state functioning.
Reference Standard IEC 60077, IEC 61992 and IEC 60947.

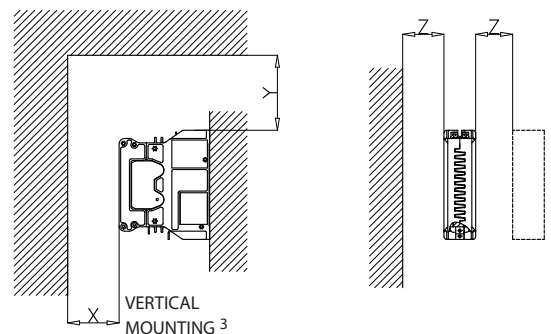
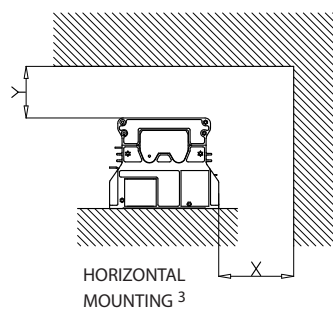
Electrical Characteristics

Rated Operational Voltage [V _{ac} / V _{dc}]	900 / 1800 ¹
Max Operational Voltage [V _{ac} / V _{dc}]	2000
Rated Insulation Voltage [V]	2000
Conventional Free Air Thermal Current [A] at 40°C ²	60
Conventional Free Air Thermal Current [A] at 75°C ²	40
DC-Rated Operational Current (τ=15ms) [A]	
1800V	50
900V	100
DC-Maximum Breaking Capacity (τ=15ms) [A]	
1800V	60
900V	115
AC-Maximum Breaking Capacity (cosφ=0,8; 50Hz) [A]	
1800V	80
900V	160
Component Category / Operational Frequency Class	A2 / C3
Short Circuit Withstand Capacity for 5ms [kA]	2
Critical Current Range [A]	< 5 (U > 1500V _{dc})
Fault Making Capacity [kA]	1.2
Blow Out Circuit Type	Indirect coil

² Device cabled according IEC 60947

Minimum clearances [mm] from:				
Rated Operational Voltage	X	Y	Z	
900V	Metal Parts	80	50	30
	Plastic Parts	50	30	20

Minimum clearances [mm] from:				
Rated Operational Voltage	X	Y	Z	
1800V	Metal Parts	80	50	50
	Plastic Parts	50	30	20



³ OTHER MOUNTING POSITIONS NOT ALLOWED



Microelettrica Scientifica

Switches

Standard Family Code
LTHH00501*A00

Mechanical Characteristics

Mechanical Endurance (cycles)	2x10 ⁶
Shock and Vibrations (IEC61373)	Cat.1 - Class B
Weight [kg]	1.6

Control Circuit

Control Voltage Range	0.7U _c ÷ 1.25U _c
Power Consumption (U _c and T = 20°C) at Pick Up - when Holding [W]	12 - 12
Mechanical Operation Time (U _c and T = 20°C) when Closing - Opening [ms]	50 - 25
Time Constant (L/R) at Pick Up - when Holding [ms]	25 - 50
Electrical Connections	Fast-On 6.35x0.8mm

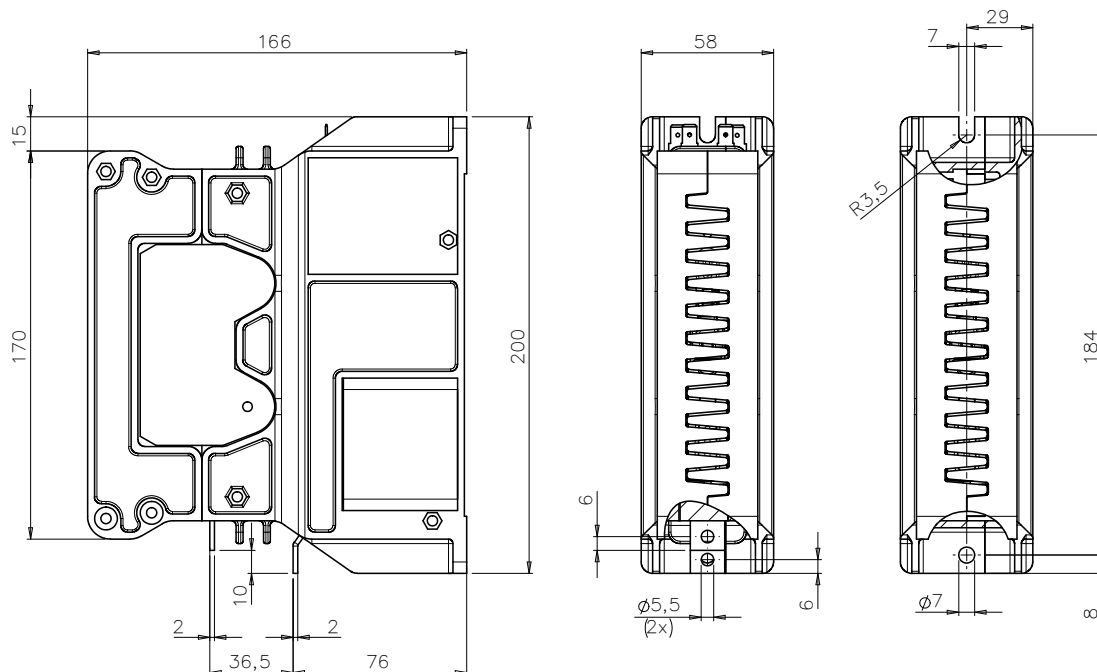
Auxiliary Contacts

Tips material	Solid Silver
Rated Operational Voltage [V _{ac} / V _{dc}]	250
Rated Current [A]	10
Minimum Switching Current at 16V _{dc} [mA] ⁴	20
Electrical Connections	Fast-On 6.35x0.8mm

Environmental Conditions

Stock Temperature Range	-50°C ÷ +85°C
Operational Temperature Range	-40°C ÷ +75°C
Pollution Degree - Overvoltage Category (EN 50124-1)	PD3 - OV3
Max Altitude without Performance Derating [m]	2000

⁴ In clean and dry conditions



KNORR-BREMSE



Microelettrica Scientifica

Microelettrica Scientifica S.p.A. - 20090 Buccinasco (MI) - V. Lucania, 2 - Italy
Tel. +39 02 575731 - Fax +39 02 57510940 - E-Mail: info@microelettrica.com