

# Switches

## Standard Family Code LTHH10041EA02



### Description

Contactor single interruption in air, electromagnetic control by starter power system plus saving resistor. Single state function.  
Reference Standard IEC 60077, IEC 61992 and IEC 60947.

Type	LTE 4-600
Number of Poles	1 NO
Mounting Position	Horizontal - Vertical <sup>1</sup>
Control Voltage Rating U <sub>c</sub> [Vdc]	24 - 36 - 48 - 72 - 110 <sup>1</sup>
Auxiliary Contact Blocks	3 (1 NO + 1 NC)
Block Type	PBX
Arc chute Material	Ceramic
Main Contacts tips Material	S6
Arcing Contacts tips Material	-
Electric Diagram	SC27219
Layout Drawing	D48630

<sup>1</sup> To be specified in order phase.

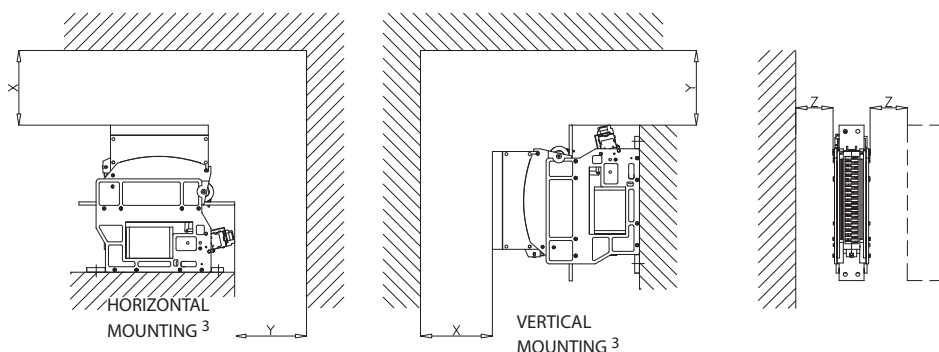
### Electrical Characteristics

Rated Operational Voltage [V <sub>ac</sub> / V <sub>dc</sub> ]	900 / 1800 / 3600 <sup>1</sup>
Max Operational Voltage [V <sub>ac</sub> / V <sub>dc</sub> ]	4000
Rated Insulation Voltage [V]	4000
Conventional Free Air Thermal Current [A] at 40°C <sup>2</sup>	900
Conventional Free Air Thermal Current [A] at 75°C <sup>2</sup>	800
DC-Rated Operational Current (τ=15ms) [A]	
3600V	500
1800V	1050
900V	1540
DC-Maximum Breaking Capacity (τ=5ms) [A]	
3600V	650
1800V	1400
900V	1750
AC-Maximum Breaking Capacity (cosφ=0,8; 50Hz) [A]	
3600V	1000
1800V	1900
900V	2200
Component Category / Operational Frequency Class	A2 / C3
Short Circuit Withstand Capacity for 5ms [kA]	16
Critical Current Range [A]	<6(U > 1800V <sub>dc</sub> ) - <12(U > 3600V <sub>dc</sub> )
Fault Making Capacity [kA]	9.6
Blow Out Circuit Type	Indirect coil

<sup>2</sup> Device cabled according IEC 60947

Minimum clearances [mm] from:				
Rated Operational Voltage	X	Y	Z	
1800V	Metal Parts	120	50	50
	Plastic Parts	50	30	20

Minimum clearances [mm] from:				
Rated Operational Voltage	X	Y	Z	
3600V	Metal Parts	200	50	50
	Plastic Parts	100	50	30



<sup>3</sup> OTHER MOUNTING POSITIONS NOT ALLOWED



Microelettrica Scientifica

# Switches

Standard Family Code  
LTHH10041EA02

## Mechanical Characteristics

Mechanical Endurance (cycles)	2x10 <sup>6</sup>
Shock and Vibrations (IEC61373)	Cat.1 - Class B
Weight [kg]	13

## Control Circuit

Control Voltage Range	0.7U <sub>c</sub> ÷ 1.25U <sub>c</sub>
Power Consumption (U <sub>c</sub> and T = 20°C) at Pick Up - when Holding [W] <sup>4</sup>	300 - 50
Mechanical Operation Time (U <sub>c</sub> and T = 20°C) when Closing - Opening [ms]	100 - 45
Time Constant (L/R) at Pick Up - when Holding [ms]	20 - 36
Electrical Connections	Fast-On 6.35x0.8mm

## Auxiliary Contacts

Tips material	Silver Alloy
Rated Operational Voltage [V <sub>ac</sub> / V <sub>dc</sub> ]	250
Rated Current [A]	10
Minimum Switching Current at 16V <sub>dc</sub> [mA] <sup>5</sup>	20
Electrical Connections	Fast-On 6.35x0.8mm

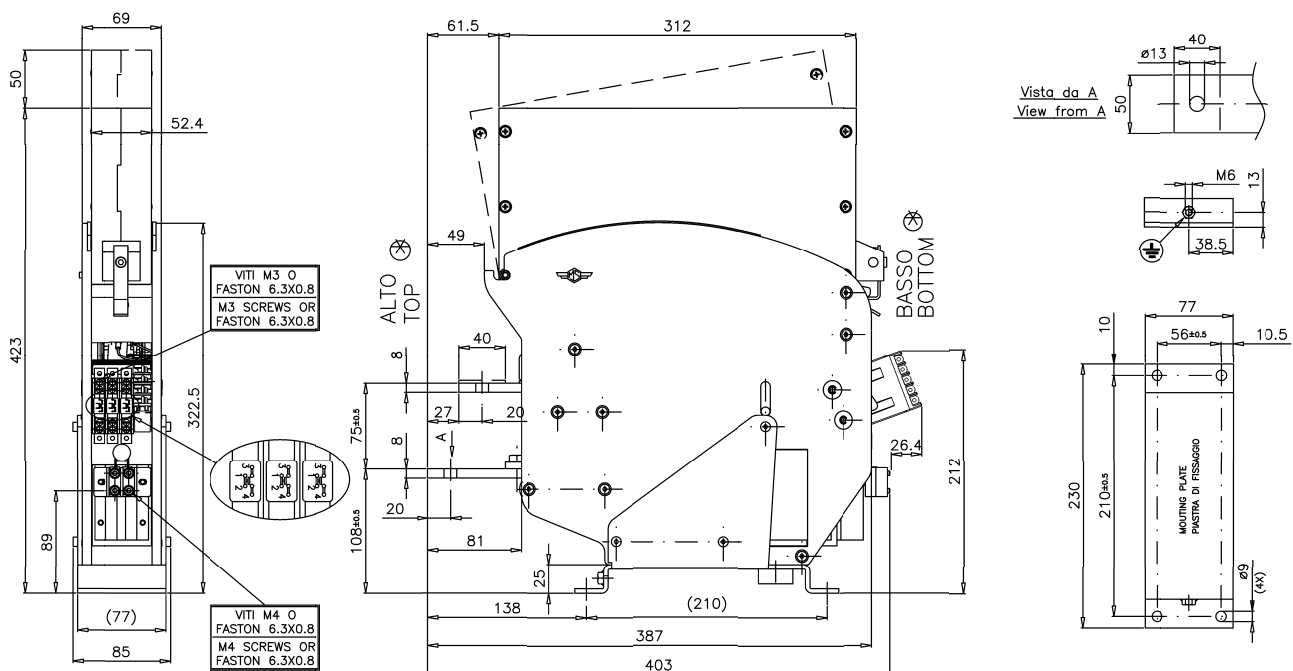
## Environmental Conditions

Stock Temperature Range	-50°C ÷ +85°C
Operational Temperature Range	Tx (-40°C ÷ +75°C) <sup>6</sup>
Pollution Degree - Overvoltage Category (EN 50124-1)	PD3 - OV3
Max Altitude without Performance Derating [m]	2000

<sup>4</sup> Minimum reclosing command time = 2s

<sup>5</sup> In clean and dry conditions

<sup>6</sup> In according to IEC50125-1



**KNORR-BREMSE**



**Microelettrica Scientifica**

Microelettrica Scientifica S.p.A. - 20090 Buccinasco (MI) - V. Lucania, 2 - Italy  
Tel. +39 02 575731 - Fax +39 02 57510940 - E-Mail: info@microelettrica.com

Rev.11 11/2016