

Switches

Standard Family Code LTC002502*A02



Type	LTCS 250 or LTCH 250
Number of Poles	2 NO
Connection between poles	Series
Mounting Position	Horizontal - Vertical ¹
Control Voltage Rating U _c [Vdc]	24 - 36 - 48 - 72 - 110 ¹
Auxiliary Contact Blocks	2 (1 NO + 1 NC)
Block Type	SL
Arc chute Material	Polyester Resin - Ceramic ¹
Main Contacts tips Material	S6
Arcing Contacts tips Material	-
Electric Diagram	-
Polyester Resin Layout Drawing	D46846
Ceramic Layout Drawing	D47611

¹ To be specified in order phase.

Description

Contactors with double interruption in air, electromagnetic control by full power coil. Single state functioning.

Reference Standard IEC 60077, IEC 61992 and IEC 60947.

Electrical Characteristics

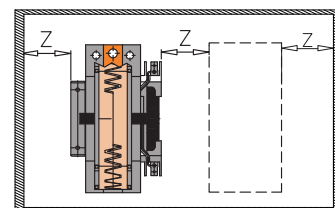
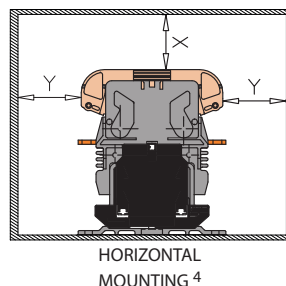
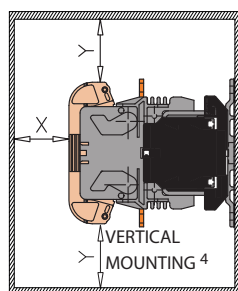
Rated Operational Voltage [V _{ac} /V _{dc}]	900 / 1800 ¹	
Max Operational Voltage [V _{ac} /V _{dc}]	2000	
Rated Insulation Voltage [V]	2000	
	Series Connected ³	
Arc chute Type	Polyester Resin arc chute	Ceramic arc chute
Conventional Free Air Thermal Current [A] at 40°C ²	250	250
Conventional Free Air Thermal Current [A] at 75°C ²	200	200
DC-Rated Operational Current (τ=15ms) [A]		
1800V	100	150
900V	205	300
DC-Maximum Breaking Capacity (τ=5ms) [A]		
1800V	200	250
900V	415	500
AC-Maximum Breaking Capacity (cosφ=0,8; 50Hz) [A]		
1800V	300	320
900V	660	720
Short Circuit Withstand Capacity for 5ms [kA]	4	4
Critical Current Range [A]	DC reverse current	DC reverse current
Fault Making Capacity [kA]	2.4	2.4
Component Category / Operational Frequency Class	A2 / C3	
Blow Out Circuit Type	Permanent Magnet	

² Device cabled according IEC 60947

³ Series or parallel bar connections are available under request

Minimum clearances [mm] from:				
Rated Operational Voltage	X	Y	Z	
900V	Metal Parts	80	80	20
	Plastic Parts	50	50	0

Minimum clearances [mm] from:				
Rated Operational Voltage	X	Y	Z	
1800V	Metal Parts	120	120	30
	Plastic Parts	50	50	20



⁴ OTHER MOUNTING POSITIONS NOT ALLOWED



Microelettrica Scientifica

Switches

Standard Family Code
LTC002502*A02

Mechanical Characteristics

Mechanical Endurance (cycles)	2x10 ⁶
Shock and Vibrations (IEC61373)	Cat.1 - Class B
Weight [kg]	3.5

Control Circuit

Control Voltage Range	0.7U _c ÷ 1.25U _c
Power Consumption (U _c and T = 20°C) at Pick Up - when Holding [W]	35 - 35
Mechanical Operation Time (U _c and T = 20°C) when Closing - Opening [ms]	55 - 25
Time Constant (L/R) at Pick Up - when Holding [ms]	25 - 85
Electrical Connections	Fast-On 6.35x0.8mm

Auxiliary Contacts

Tips material	Solid Silver
Rated Operational Voltage [V _{ac} / V _{dc}]	250
Rated Current [A]	10
Minimum Switching Current at 16V _{dc} [mA] ⁵	20
Electrical Connections	Fast-On 6.35x0.8mm

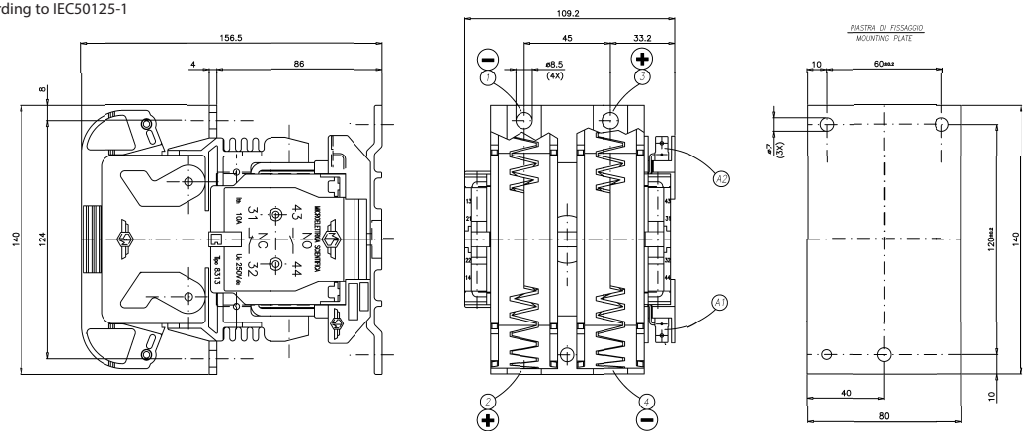
Environmental Conditions

Stock Temperature Range	-50°C ÷ +85°C
Operational Temperature Range	Tx (-40°C ÷ +75°C) ⁶
Pollution Degree - Overvoltage Category (EN 50124-1)	PD3 / OV3
Max Altitude without Performance Derating [m]	2000

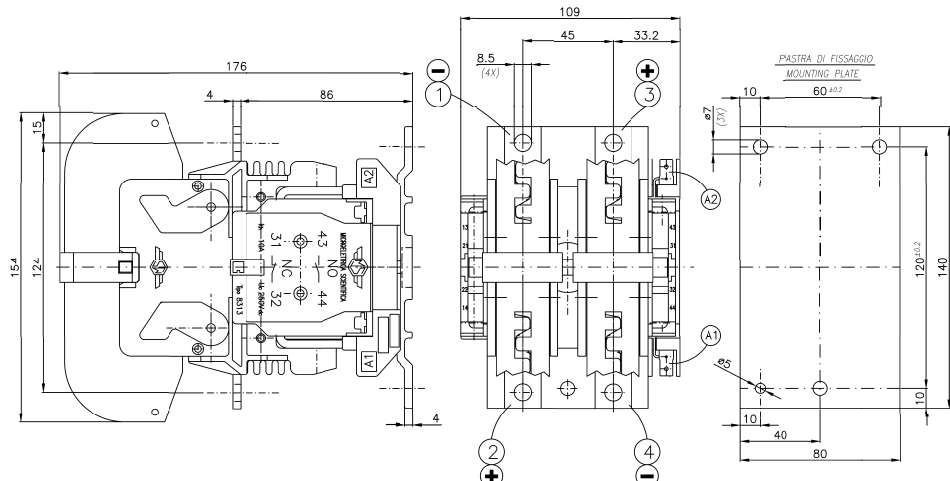
⁵ In clean and dry conditions

⁶ In according to IEC50125-1

Polyester Resin
Layout Drawing



Ceramic Layout
Drawing



KNORR-BREMSE



Microelettrica Scientifica

Microelettrica Scientifica S.p.A. - 20090 Buccinasco (MI) - V. Lucania, 2 - Italy
Tel. +39 02 575731 - Fax +39 02 57510940 - E-Mail: info@microelettrica.com