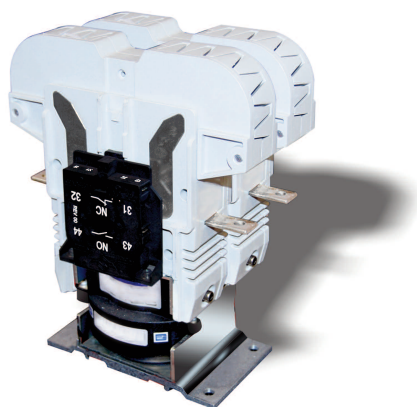


Switches

Standard Family Code
LTCH00602*A01



Description

Contactors with double interruption in air, electromagnetic control by delayed auxiliary switch power system.

Single state functioning.

Reference Standard IEC 60077, IEC 61992 and IEC 60947.

Type	LTCH 60
Number of Poles	2 NO
Connection between poles	Single, series or parallel
Mounting Position	Horizontal - Vertical ¹
Control Voltage Rating U _c [Vdc]	24 - 36 - 48 - 72 - 110 ¹
Auxiliary Contact Blocks	2 x (1 NO + 1 NC)
Block Type	SL
Arc chute Material	Polyester Resin ¹
Main Contacts tips Material	S6
Arcing Contacts tips Material	-
Electric Diagram	-
Series Layout Drawing	D50326
Single or Parallel Layout Drawing	D48519

¹ To be specified in order phase.

Electrical Characteristics

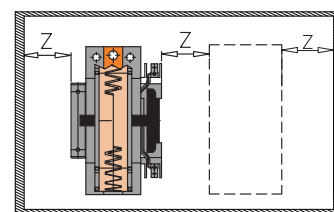
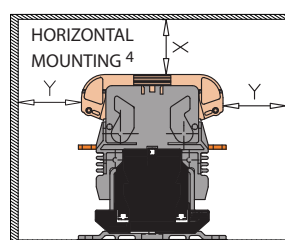
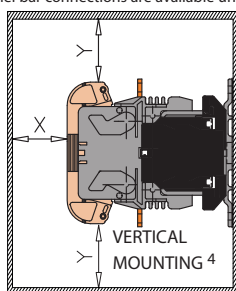
Rated Operational Voltage [V _{ac} / V _{dc}]	900/1800 / 3600 ¹		
Max Operational Voltage [V _{ac} / V _{dc}]	4000		
Rated Insulation Voltage [V]	4000		
	Single Pole	Series Connected ³	Parallel Connected ³
Conventional Free Air Thermal Current [A] at 40°C ²	100	60	120
Conventional Free Air Thermal Current [A] at 75°C ²	80	50	100
DC-Rated Operational Current (τ=15ms) [A]			
3600V	16	30	16
1800V	40	55	40
900V	80	110	80
DC-Maximum Breaking Capacity (τ=5ms) [A]			
3600V	30	40	30
1800V	60	80	60
900V	120	160	120
AC-Maximum Breaking Capacity (cosφ=0,8; 50Hz) [A]			
3600V	50	80	50
1800V	100	160	100
900V	200	320	200
Component Category / Operational Frequency Class	2	2	4
Short Circuit Withstand Capacity for 5ms [kA]	DC Reverse Current	DC Reverse Current	DC Reverse Current
Critical Current Range [A]	1.2	1.2	2.4
Fault Making Capacity [kA]	A2 / C3		
Blow Out Circuit Type	Permanent magnet		

² Device cabled according IEC 60947

³ Series or parallel bar connections are available under request

Minimum clearances [mm] from:				
Rated Operational Voltage	X	Y	Z	
1800V	Metal Parts	120	120	50
	Plastic Parts	50	50	20

Minimum clearances [mm] from:				
Rated Operational Voltage	X	Y	Z	
3600V	Metal Parts	120	120	50
	Plastic Parts	50	50	20



⁴ OTHER MOUNTING POSITIONS NOT ALLOWED



Microelettrica Scientifica

Switches

Standard Family Code
LTCH00602*A01

Mechanical Characteristics

Mechanical Endurance (cycles)	2x10 ⁶
Shock and Vibrations (IEC61373)	Cat.1 - Class B
Weight [kg]	4

Control Circuit

Control Voltage Range	0.7U _c ÷ 1.25U _c
Power Consumption (U _c and T = 20°C) at Pick Up - when Holding [W]	85 - 25
Mechanical Operation Time (U _c and T = 20°C) when Closing - Opening [ms]	80 - 40
Time Constant (L/R) at Pick Up - when Holding [ms]	70 - 125
Electrical Connections	Fast-On 6.35x0.8mm

Auxiliary Contacts

Tips material	Solid Silver
Rated Operational Voltage [V _{ac} / V _{dc}]	250
Rated Current [A]	10
Minimum Switching Current at 16V _{dc} [mA] ⁵	20
Electrical Connections	Fast-On 6.35x0.8mm

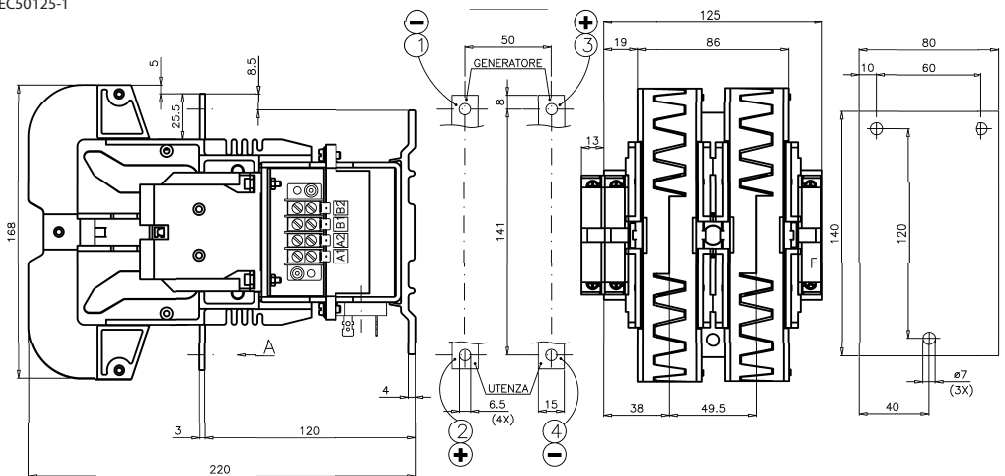
Environmental Conditions

Stock Temperature Range	-50°C ÷ +85°C
Operational Temperature Range	Tx (-40°C ÷ +75°C) ⁶
Pollution Degree - Overvoltage Category (EN 50124-1)	PD3 / OV3
Max Altitude without Performance Derating [m]	2000

⁵ In clean and dry conditions

⁶ In according to IEC50125-1

Series Layout Drawing



Single or Parallel Layout Drawing

