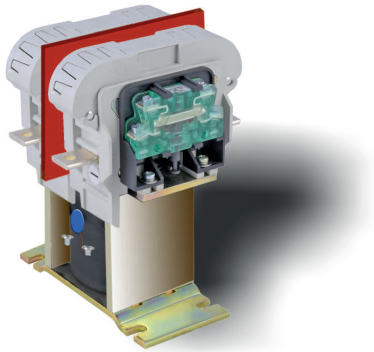


Switches

Standard Family Code LTC001002*A01



Description

Contactor with double interruption in air, electromagnetic control by full power coil. Single state functioning.

Reference Standard IEC 60077, IEC 61992 and IEC 60947

Type	LTCS 100
Number of Poles	2 NO
Connection between poles	Single, series or parallel
Mounting Position	Horizontal - Vertical ¹
Control Voltage Rating U _c [Vdc]	24 - 36 - 48 - 72 - 110 ¹
Auxiliary Contact Blocks	2 (1 NO + 1 NC)
Block Type	SJ
Arc chute Material	Polyester Resin ¹
Main Contacts tips Material	S6
Arcing Contacts tips Material	-
Electric Diagram	-
Series Layout Drawing	D50564
Single or Parallel Layout Drawing	D53491

¹ To be specified in order phase.

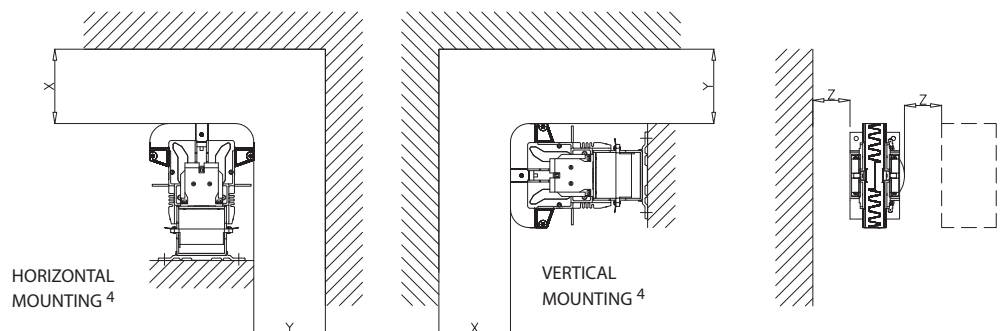
Electrical Characteristics

Rated Operational Voltage [V _{ac} / V _{dc}]	440 / 900 ¹		
Max Operational Voltage [V _{ac} / V _{dc}]	1000		
Rated Insulation Voltage [V]	1000		
	Single Pole	Series Connected ³	Parallel Connected ³
Conventional Free Air Thermal Current [A] at 40°C ²	100	100	200
Conventional Free Air Thermal Current [A] at 75°C ²	80	80	160
DC-Rated Operational Current (τ=15ms) [A]			
900V	16	30	16
440V	40	72	40
DC-Maximum Breaking Capacity (τ=5ms) [A]			
900V	25	40	25
440V	60	100	60
AC-Maximum Breaking Capacity (cosφ=0,8; 50Hz) [A]			
900V	40	60	40
440V	80	120	80
Short Circuit Withstand Capacity for 5ms [kA]	1.5	1.5	3
Critical Current Range [A]	DC Reverse Current	DC Reverse Current	DC Reverse Current
Fault Making Capacity [kA]	0.9	0.9	1.8
Component Category / Operational Frequency Class	A2 / C3		
Blow Out Circuit Type	Permanent magnet		

² Device cabled according IEC 60947

³ Series or parallel bar connections are available under request

Minimum clearances [mm] from:				
Rated Operational Voltage	X	Y	Z	
900V	Metal Parts	80	80	20
	Plastic Parts	50	50	0



⁴ OTHER MOUNTING POSITIONS NOT ALLOWED



Microelettrica Scientifica

Switches

Standard Family Code
LTC001002* A01

Mechanical Characteristics

Mechanical Endurance (cycles)	2x10 ⁶
Shock and Vibrations (IEC61373)	Cat.1 - Class B
Weight [kg]	2

Control Circuit

Control Voltage Range	0.7U _c ÷ 1.25U _c
Power Consumption (U _c and T = 20°C) at Pick Up - when Holding [W]	24 - 24
Mechanical Operation Time (U _c and T = 20°C) when Closing - Opening [ms]	50 - 20
Time Constant (L/R) at Pick Up - when Holding [ms]	70 - 125
Electrical Connections	Fast-On 6.35x0.8mm

Auxiliary Contacts

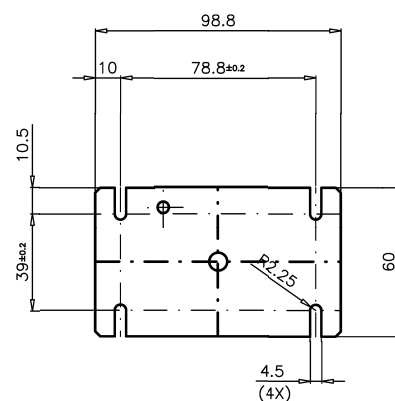
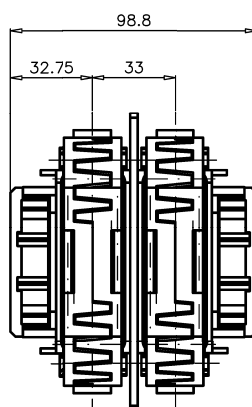
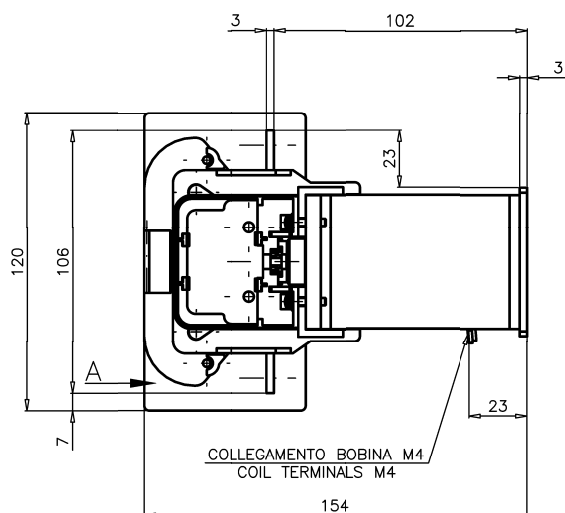
Tips material	Solid Silver
Rated Operational Voltage [V _{ac} / V _{dc}]	250
Rated Current [A]	10
Minimum Switching Current at 16V _{dc} [mA] ⁵	20
Electrical Connections	Fast-On 6.35x0.8mm

Environmental Conditions

Stock Temperature Range	-50°C ÷ +85°C
Operational Temperature Range	Tx (-40°C ÷ +75°C) ⁶
Pollution Degree - Overvoltage Category (EN 50124-1)	PD3 / OV3
Max Altitude without Performance Derating [m]	2000

⁵ In clean and dry conditions

⁶ In according to IEC50125-1



KNORR-BREMSE



Microelettrica Scientifica

Microelettrica Scientifica S.p.A. - 20090 Buccinasco (MI) - V. Lucania, 2 - Italy
Tel. +39 02 575731 - Fax +39 02 57510940 - E-Mail: info@microelettrica.com