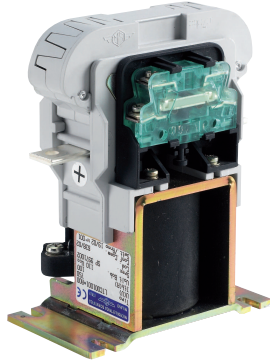


# Switches

## Standard Family Code LTC001001\*A00



### Description

Contactor with double interruption in air, electromagnetic control by full power coil. Single state functioning.  
Reference Standard IEC 60077, IEC 61992 and IEC 60947 .

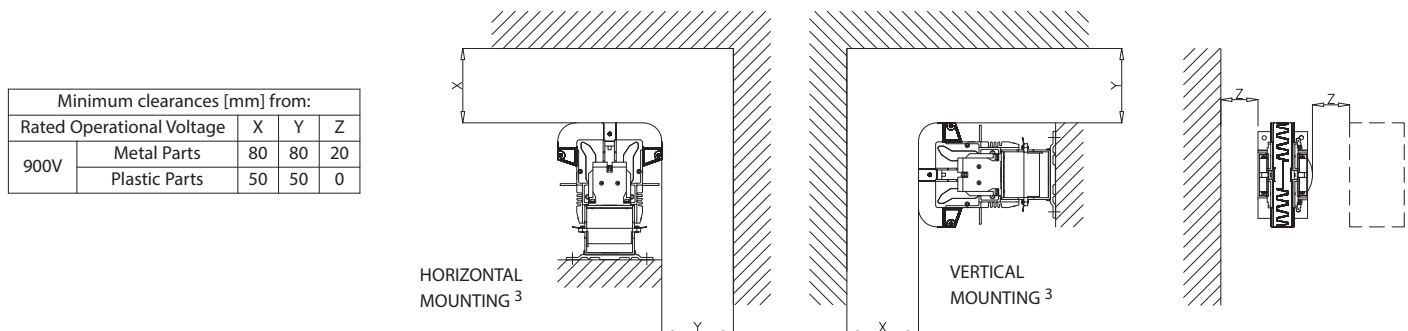
Type	LTCS 100
Number of Poles	1 NO
Mounting Position	Horizontal - Vertical <sup>1</sup>
Control Voltage Rating U <sub>c</sub> [Vdc]	24 - 36 - 48 - 72 - 110 <sup>1</sup>
Auxiliary Contact Blocks	2 (1 NO + 1 NC)
Block Type	SJ
Arc chute Material	Polyester Resin <sup>1</sup>
Main Contacts tips Material	S6
Arcing Contacts tips Material	-
Electric Diagram	-
Layout Drawing	D47715

<sup>1</sup> To be specified in order phase.

### Electrical Characteristics

Rated Operational Voltage [V <sub>ac</sub> / V <sub>dc</sub> ]	440 / 900 <sup>1</sup>
Max Operational Voltage [V <sub>ac</sub> / V <sub>dc</sub> ]	1000
Rated Insulation Voltage [V]	1000
Conventional Free Air Thermal Current [A] at 40°C <sup>2</sup>	100
Conventional Free Air Thermal Current [A] at 75°C <sup>2</sup>	80
DC-Rated Operational Current (τ=15ms) [A]	
900V	16
440V	40
DC-Maximum Breaking Capacity (τ=5ms) [A]	
900V	25
440V	60
AC-Maximum Breaking Capacity (cosφ=0,8; 50Hz) [A]	
900V	40
440V	80
Component Category / Operational Frequency Class	A2 / C3
Short Circuit Withstand Capacity for 5ms [kA]	1.5
Critical Current Range [A]	DC Reverse current
Fault Making Capacity [kA]	0.9
Blow Out Circuit Type	Permanent Magnet

<sup>2</sup> Device cabled according IEC 60947



<sup>3</sup> OTHER MOUNTING POSITIONS NOT ALLOWED



Microelettrica Scientifica

# Switches

Standard Family Code  
LTC001001\*A00

## Mechanical Characteristics

Mechanical Endurance (cycles)	2x10 <sup>6</sup>
Shock and Vibrations (IEC61373)	Cat.1 - Class B
Weight [kg]	1.1

## Control Circuit

Control Voltage Range	0.7U <sub>c</sub> ÷ 1.25U <sub>c</sub>
Power Consumption (U <sub>c</sub> and T = 20°C) at Pick Up - when Holding [W]	18 - 18
Mechanical Operation Time (U <sub>c</sub> and T = 20°C) when Closing - Opening [ms]	40 - 20
Time Constant (L/R) at Pick Up - when Holding [ms]	25 - 50
Electrical Connections	Fast-On 6.35x0.8mm

## Auxiliary Contacts

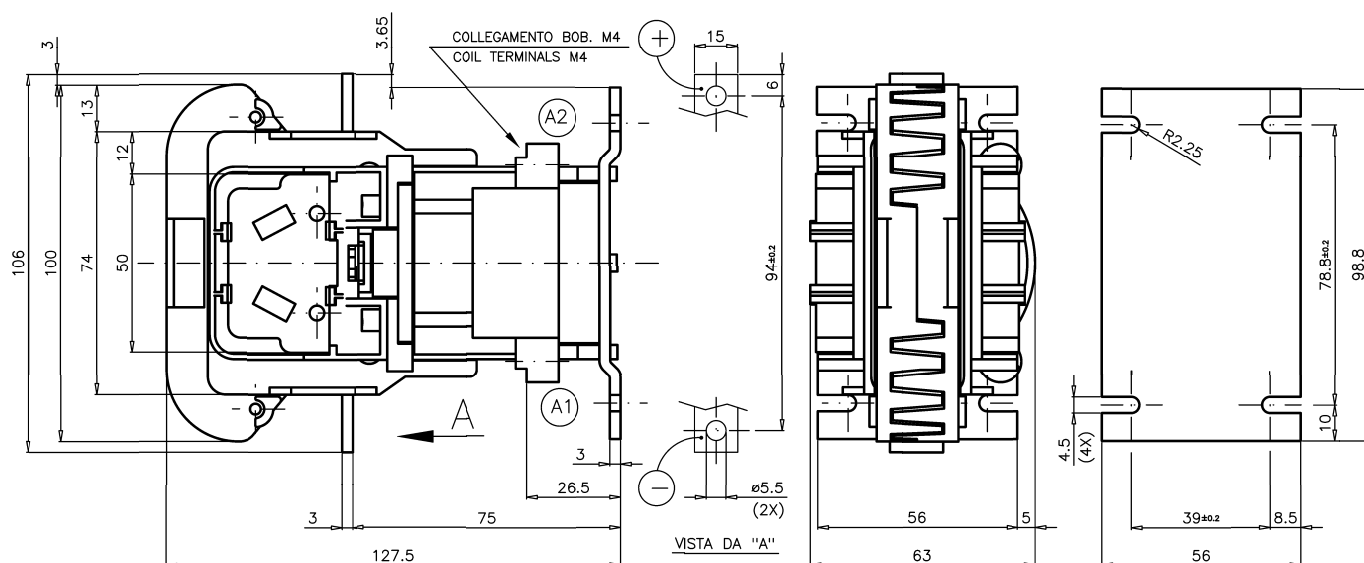
Tips material	Solid Silver
Rated Operational Voltage [V <sub>ac</sub> / V <sub>dc</sub> ]	250
Rated Current [A]	10
Minimum Switching Current at 16V <sub>dc</sub> [mA] <sup>4</sup>	20
Electrical Connections	Fast-On 6.35x0,8mm

## Environmental Conditions

Stock Temperature Range	-50°C ÷ +85°C
Operational Temperature Range	Tx (-40°C ÷ +75°C) <sup>5</sup>
Pollution Degree - Overvoltage Category (EN 50124-1)	PD3 - OV3
Max Altitude without Performance Derating [m]	2000

<sup>4</sup> In clean and dry conditions

<sup>5</sup> In according to IEC50125-1



**KNORR-BREMSE**



*Microelettrica Scientifica*

Microelettrica Scientifica S.p.A. - 20090 Buccinasco (MI) - V. Lucania, 2 - Italy  
Tel. +39 02 575731 - Fax +39 02 57510940 - E-Mail: info@microelettrica.com