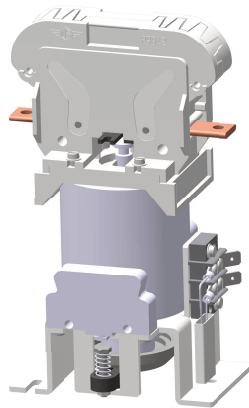


Switches

Standard Family Code LTC001001DBA0



Description

Contactor with double interruption in air, electromagnetic control by full power coil. Single state functioning.
Reference Standard IEC 60077, IEC 61992 and IEC 60947 .

| | |
|---|--------------------------------------|
| Type | LTCS 100 |
| Number of Poles | 1 NC |
| Mounting Position | Horizontal - Vertical ¹ |
| Control Voltage Rating U _c [Vdc] | 24 - 36 - 48 - 72 - 110 ¹ |
| Auxiliary Contact Blocks | 2 (1 NO + 1 NC) |
| Block Type | SJ |
| Arc chute Material | Polyester Resin ¹ |
| Main Contacts tips Material | S6 |
| Arcing Contacts tips Material | - |
| Electric Diagram | - |
| Layout Drawing | D50702 |

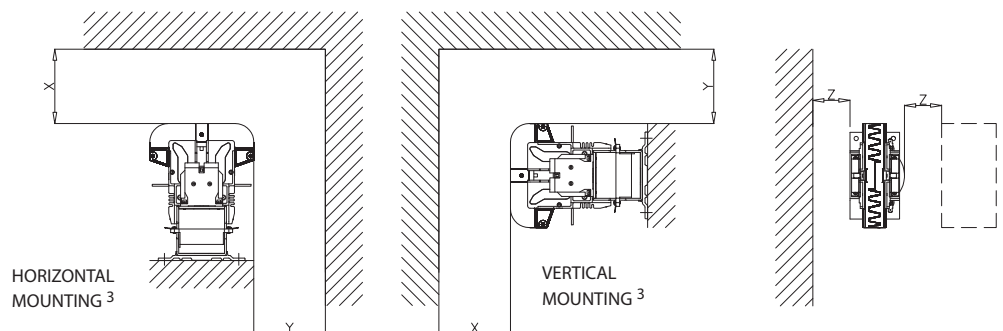
¹ To be specified in order phase.

Electrical Characteristics

| | |
|--|------------------------|
| Rated Operational Voltage [V _{ac} / V _{dc}] | 440 / 900 ¹ |
| Max Operational Voltage [V _{ac} / V _{dc}] | 1000 |
| Rated Insulation Voltage [V] | 1000 |
| Conventional Free Air Thermal Current [A] at 40°C ² | 100 |
| Conventional Free Air Thermal Current [A] at 75°C ² | 80 |
| DC-Rated Operational Current (τ=15ms) [A] | |
| 900V | 16 |
| 440V | 40 |
| DC-Maximum Breaking Capacity (τ=5ms) [A] | |
| 900V | 25 |
| 440V | 60 |
| AC-Maximum Breaking Capacity (cosφ=0,8; 50Hz) [A] | |
| 900V | 40 |
| 440V | 80 |
| Component Category / Operational Frequency Class | A2 / C3 |
| Short Circuit Withstand Capacity for 5ms [kA] | 1.5 |
| Critical Current Range [A] | DC Reverse current |
| Fault Making Capacity [kA] | 0.9 |
| Blow Out Circuit Type | Permanent Magnet |

² Device cabled according IEC 60947

| Minimum clearances [mm] from: | | | | |
|-------------------------------|---------------|----|----|----|
| Rated Operational Voltage | X | Y | Z | |
| 900V | Metal Parts | 80 | 80 | 20 |
| | Plastic Parts | 50 | 50 | 0 |



³ OTHER MOUNTING POSITIONS NOT ALLOWED



Microelettrica Scientifica

Switches

Standard Family Code
LTC001001DBA0

Mechanical Characteristics

| | |
|---------------------------------|-------------------|
| Mechanical Endurance (cycles) | 2x10 ⁶ |
| Shock and Vibrations (IEC61373) | Cat.1 - Class B |
| Weight [kg] | 1.9 |

Control Circuit

| | |
|---|--|
| Control Voltage Range | 0.7U _c ÷ 1.25U _c |
| Power Consumption (U _c and T = 20°C) at Pick Up - when Holding [W] | 20 - 20 |
| Mechanical Operation Time (U _c and T = 20°C) when Closing - Opening [ms] | 25 - 30 |
| Time Constant (L/R) at Pick Up - when Holding [ms] | 75 - 125 |
| Electrical Connections | Fast-On 6.35x0.8mm |

Auxiliary Contacts

| | |
|--|--------------------|
| Tips material | Solid Silver |
| Rated Operational Voltage [V _{ac} / V _{dc}] | 250 |
| Rated Current [A] | 10 |
| Minimum Switching Current at 16V _{dc} [mA] ⁴ | 20 |
| Electrical Connections | Fast-On 6.35x0,8mm |

Environmental Conditions

| | |
|--|---------------------------------|
| Stock Temperature Range | -50°C ÷ +85°C |
| Operational Temperature Range | Tx (-40°C ÷ +75°C) ⁵ |
| Pollution Degree - Overvoltage Category (EN 50124-1) | PD3 - OV3 |
| Max Altitude without Performance Derating [m] | 2000 |

⁴ In clean and dry conditions

⁵ In according to IEC50125-1

