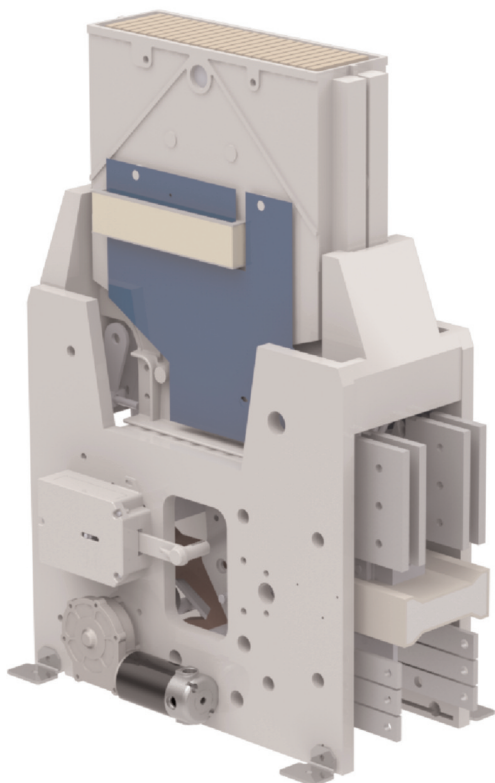


# HSCBs



## IR4000F

The IR4000F series are single pole, magnetic blow out, trip free, High Speed Circuit Breakers. The closing mechanism is an independent motor operated type. The Circuit Breaker is held closed by an electromagnetic coil or permanent magnet and it is equipped with a direct acting over current trip device which may be either unidirectional or bidirectional. A manual opening device is available as option.

IR4000F conforms to IEC EN 50123 Standards.

HSCB Type	Rated Current A	Application	Standard	Rated voltage Vdc	Rated insulation Voltage Vdc	Overvoltage category	Pollution degree	Breaking Capacity kA		Height (A) mm	Weight kg
								Inss kA	Tnc ms		
IR4030F	3000	Substation and industry	IEC EN 50123	900	2300	OV4	PD3	125	100	847	110
				1800				80	31,5		
				3600				55	31,5		
IR4040F	4000	Substation and industry	IEC EN 50123	900	2300	OV4	PD3	125	100	847	120
				1800				80	31,5		
				3600				55	31,5		
IR4050F	5000	Substation and industry	IEC EN 50123	900	2300	OV4	PD3	125	100	847	125
				1800				80	31,5		
				3600				55	31,5		
IR4060F	6000	Substation and industry	IEC EN 50123	900	2300	OV4	PD3	125	100	847	125
				1800				80	31,5		
				3600				55	31,5		
IR4080F	8000	Substation and industry	IEC EN 50123	900	2300	OV4	PD3	125	100	847	135
				1800				80	31,5		
				3600				55	31,5		



*Microelettrica Scientifica*

# HSCBs

IR4000 F

