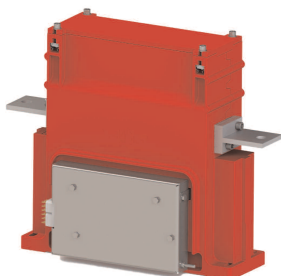


# Switches

## Standard Family Code LTKS 900 1 NO



Type	LTKS900
Number of Poles	1 NO
Mounting Position	Horizontal - Vertical <sup>1</sup>
Control Voltage Range [V <sup>dc</sup> ]	24-110 <sup>1</sup>
Auxiliary Contact Blocks	3 (1NO+1NC)
Block Type	Integrated
Main Contacts tips Material	Cu
Layout Drawing	D54087

<sup>1</sup> To be specified in order phase

### Description

One pole normally opened disconnecter switch, electric motor control by electronic device, 2 positions, bi-stable.

Reference standard IEC 60077-2.

### Electrical Characteristics

Rated Operational Voltage [V <sub>ac</sub> / V <sub>dc</sub> ]	3600
Max Operational Voltage [V <sub>oc</sub> / V <sub>dc</sub> ]	4400
Conventional Free Air Thermal Current [A] at 40°C <sup>2</sup>	1050
Conventional Free Air Thermal Current [A] at 75°C <sup>2</sup>	900
Main circuit resistance [μΩ] <sup>3</sup>	200
DC-Rated Operational Current (τ=15ms) [A]	0
DC-Maximum Breaking Capacity (τ=5ms) @ U <sub>e</sub> [A]	0.2
AC-Maximum Breaking Capacity (cosφ=0,8) @ U <sub>e</sub> [A]	0.5
Short Circuit Withstand Capacity for 5/50/100 ms [kA]	90/75/60
Fault Making Capacity @ 100V (τ=0ms) [A]	50
Component Category / Operational Frequency Class	A4 / C3

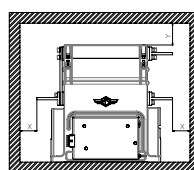
<sup>2</sup> Device cabled according IEC 60947

<sup>3</sup> In new and clean condition for power loss calculation only

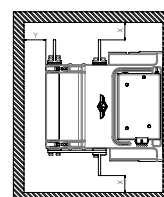
### Insulation Characteristics

Rated Insulation Voltage @ OV4/PD3A [V]	3700
Rated Insulation Voltage @ OV3/PD3 [V]	4800
Rated impulse voltage [kV]	30
Rated Power Frequency Withstand Voltage (50Hz; 60")	
Between HV circuit and LV circuit+Earth [V]	11600
Between open contacts [V]	9200
Between each pole (if more than 1) [V]	11600
Between LV circuit and Earth [V]	1500
Minimum clearance distance between open contacts [mm]	80
Minimum clearance distance between HV circuit and LV circuit+earth [mm]	40
Minimum creepage distance [mm]	80
Comparative Tracking Index (CTI) (IEC 60112) [V]	600

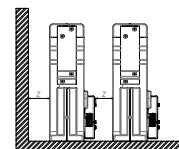
Minimum clearances [mm] from:				
Rated Operational Voltage	X	Y	Z	
3600V	Metal Parts	50	50	30
	Plastic Parts	30	30	30



HORIZONTAL MOUNTING <sup>4</sup>



VERTICAL MOUNTING <sup>4</sup>



<sup>4</sup> OTHER MOUNTING POSITIONS NOT ALLOWED

The technical specifications reported are not binding and they should be agreed in the related contract.



Microelettrica Scientifica

# Switches

Standard Family Code  
LTKS 900 1 NO

## Mechanical Characteristics

Mechanical Endurance (cycles)	2.5x10 <sup>5</sup>
Shock and Vibrations (IEC61373)	Cat. 1 - Class B
Weight [kg]	11

## Control Circuit

Control Voltage Range	0.7U <sub>c</sub> ÷ 1.25U <sub>c</sub>
Power Consumption (U <sub>c</sub> and T = 20°C) at Pick Up - when operating - at Holding [W]	100 - 30 - 0
Mechanical Operation Time (U <sub>c</sub> and T = 20°C) when Closing - Opening [ms]	3000 - 3000
Mechanical Operation Time (in the worst condition) [ms]	4000 - 4000
Electrical Connections	Low voltage connector SMS 18GE63

## Auxiliary contacts

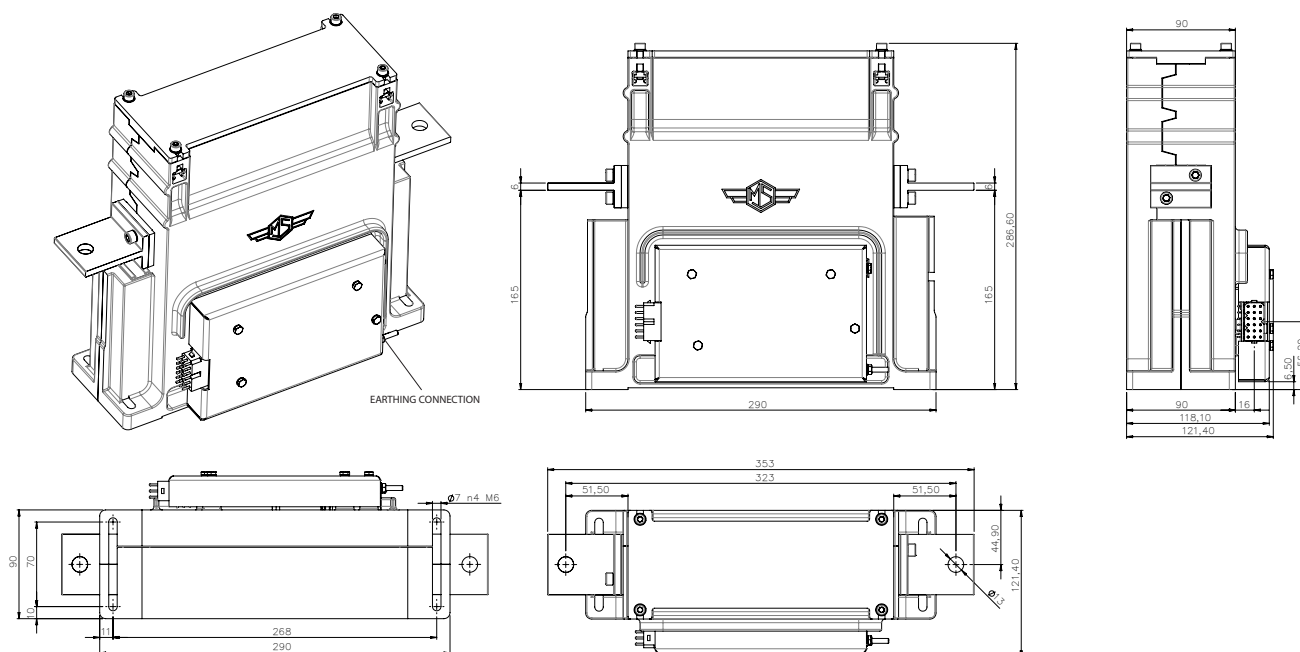
Tips material	Silver Alloy
Rated Operational voltage [V <sub>ac</sub> / V <sub>dc</sub> ]	250
Rated Current [A]	5

## Environmental Conditions

Stock Temperature Range	-50°C ÷ +85°C
Operational Temperature Range up to 1000m	Tx (-40°C ÷ +75°C) <sup>5</sup>
Operational Temperature Range up to 2000m	T2 (-40°C ÷ +65°C) <sup>5</sup>
Humidity	10 ÷ 95% RH <sup>6</sup>

<sup>5</sup> According to IEC50125-1

<sup>6</sup> According to IEC 62498-1



**KNORR-BREMSE**



*Microelettrica Scientifica*

This publication may be subject to alteration without prior notice. Therefore, a printed copy of this document may not be the latest revision. Please contact your local representative for the latest update. The trademarks MS Microelettrica Scientifica, Knorr and Knorr-Bremse as well as the figurative mark "K" are registered. Copyright © Knorr-Bremse AG and Microelettrica Scientifica SpA - all rights reserved, including industrial property rights application. Knorr-Bremse AG and Microelettrica Scientifica SpA retain any power of disposal, such as for copying and transferring.

Microelettrica Scientifica S.p.A. - 20090 Buccinasco (MI) - V. Lucania, 2 - Italy  
Tel. +39 02 575731 - Fax +39 02 57510940 - E-Mail: info@microelettrica.com

Rev.00 09/2018\_RM